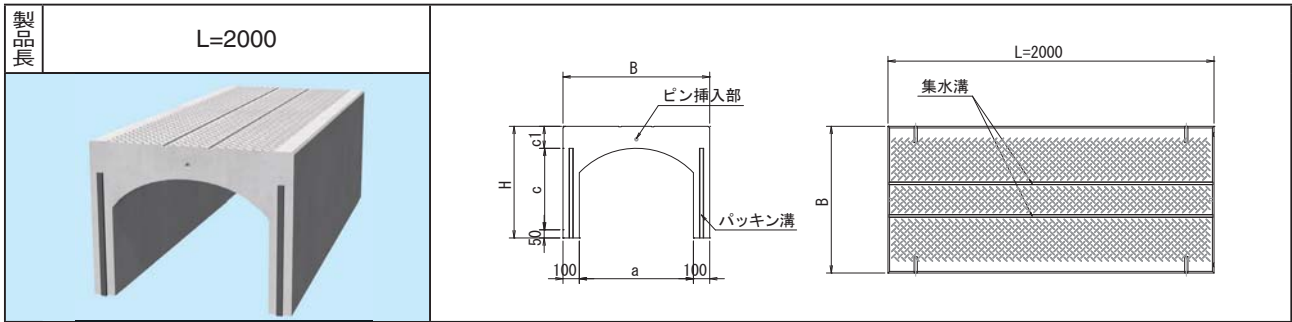


W-Win側溝 700~1000

暗渠用製品 T-25 縦断走行用 内幅700~1000



| 呼び名 (幅ax高c) | 各部の寸法(mm) | | | 参考質量 (kg) | |
|----------------|-----------|------|------|--------------|------|
| | H | B | C1 | | |
| 700 | 500 | 685 | | 1240 | |
| | 600 | 785 | | 1335 | |
| | 700 | 885 | | 1430 | |
| | 800 | 985 | | 1525 | |
| | 900 | 1085 | | 1615 | |
| | 1000 | 1185 | | 1710 | |
| | 1100 | 1285 | 900 | 135 | 1820 |
| | 1200 | 1385 | | | 1915 |
| | 1300 | 1485 | | | 2010 |
| | 1400 | 1585 | | | 2135 |
| | 1500 | 1685 | | | 2235 |
| 800 | 1600 | 1785 | | 2330 | |
| | 1700 | 1885 | | 2440 | |
| | 600 | 795 | | 1470 | |
| | 700 | 895 | | 1565 | |
| | 800 | 995 | | 1660 | |
| | 900 | 1095 | | 1755 | |
| | 1000 | 1195 | | 1845 | |
| | 1100 | 1295 | | 1940 | |
| | 1200 | 1395 | 1000 | 145 | 2070 |
| | 1300 | 1495 | | | 2165 |
| | 1400 | 1595 | | | 2260 |
| 1500 | 1695 | | | 2385 | |
| 1600 | 1795 | | | 2480 | |
| 1700 | 1895 | | | 2580 | |
| 1800 | 1995 | | | 2710 | |

| 呼び名 (幅ax高c) | 各部の寸法(mm) | | | 参考質量 (kg) | |
|----------------|-----------|------|------|--------------|------|
| | H | B | C1 | | |
| 900 | 700 | 905 | | 1710 | |
| | 800 | 1005 | | 1805 | |
| | 900 | 1105 | | 1900 | |
| | 1000 | 1205 | | 1995 | |
| | 1100 | 1305 | | 2090 | |
| | 1200 | 1405 | | 2185 | |
| | 1300 | 1505 | 1100 | 155 | 2315 |
| | 1400 | 1605 | | | 2415 |
| | 1500 | 1705 | | | 2510 |
| | 1600 | 1805 | | | 2615 |
| | 1700 | 1905 | | | 2735 |
| 1000 | 1800 | 2005 | | 2840 | |
| | 1900 | 2105 | | 3020 | |
| | 800 | 1010 | | 1935 | |
| | 900 | 1110 | | 2030 | |
| | 1000 | 1210 | | 2120 | |
| | 1100 | 1310 | | 2235 | |
| | 1200 | 1410 | | 2330 | |
| | 1300 | 1510 | | 2425 | |
| | 1400 | 1610 | 1200 | 160 | 2560 |
| | 1500 | 1710 | | | 2660 |
| | 1600 | 1810 | | | 2755 |
| 1700 | 1910 | | | 2875 | |
| 1800 | 2010 | | | 2995 | |
| 1900 | 2110 | | | 3155 | |
| 2000 | 2210 | | | 3310 | |

カルバート

道路側溝

防護柵基礎

擁壁

補強土

地盤改良

消融雪

その他