

HSフリューム

『土地改良事業計画設計基準「水路工」』準拠

カルバート

道路側溝

防護柵

道路擁壁

補強土

のり面

共同溝

消・融雪

用排水

ため池

生態系

護床・その他

新材料

台車運搬

横引き

推進

沈埋

地盤改良



特長

シンプル&スリムな形状を追求した「HSフリューム」は、施工性、安全性、経済性を兼ね備えた大型フリュームで、用水・排水の2タイプがあります。また、近年の多様化する要望にお応えし、生態系に配慮した製品・工法も取り揃えています。

① 施工後の埋め戻しが容易な側面構造

壁背面がフラット形状であるため、埋め戻し時の施工性が向上するとともに周辺埋め戻し不良等が抑制できます。

② 用水路機能の確保

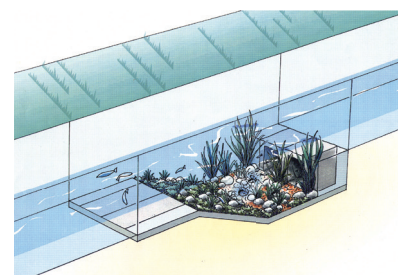
継手部は、引き寄せ可能な連結金具とシール材を併用することで高い止水性が確保できます。そのため、用水路等にも安心してご利用いただけます。

③ 施工性

長さ調節、曲線対応、浮き上がり対策時のプレキャスト対応が可能です。

④ 生態系に配慮した対応も可能

底版に開口部を設け生物の生息空間を確保したビオタイプやおさかなステーションへ対応し、生態系へ配慮します。



生態系配慮 「おさかなステーション」

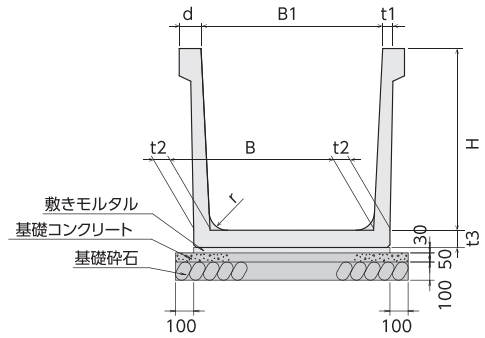
HSフリューム 500~900

● 設計条件

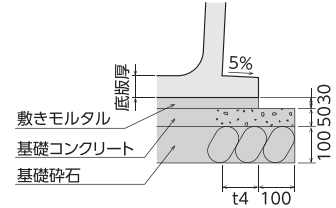
| | | |
|----------------|-------------------|------|
| 上載荷重 Q | kN/m ² | 10.0 |
| 土砂（湿潤土）の単位体積重量 | kN/m ³ | 18.0 |
| 土砂（飽和土）の単位体積重量 | kN/m ³ | 20.0 |
| 土砂（水中土）の単位体積重量 | kN/m ³ | 10.0 |
| 水の単位体積重量 | kN/m ³ | 9.8 |
| 土の内部摩擦角 | 度 | 25.0 |
| 浮力の安全率 | | 1.2 |

● 標準施工断面図

標準製品



フーチング付製品（オプション）



標準規格

● 製品長2m

(単位：mm)

| 呼び名 内高H×内幅B1 | B | d | t1 | t2 | t3 | r | t4 | 参考質量 (kg) | | |
|-----------------|-----------|------|------|----|----|----|----|-----------|--------|------|
| | | | | | | | | 標準 | フーチング付 | |
| 500 | 400 350 | 75 | 55 | 55 | 60 | 70 | 50 | — | 405 | — |
| | 500 450 | | | | | | | — | 435 | — |
| | 600 550 | | | | | | | — | 465 | — |
| | 700 650 | | | | | | | — | 490 | 520 |
| | 800 750 | | | | | | | — | 520 | 550 |
| | 900 850 | | | | | | | — | 550 | 580 |
| | 1000 950 | | | | | | | — | 575 | 630 |
| | 1100 1050 | | | | | | | — | 605 | 660 |
| | 1200 1150 | | | | | | | — | 630 | 690 |
| | 1300 1250 | | | | | | | — | 660 | 715 |
| 1400 1350 | — | — | 690 | — | | | | | | |
| 1500 1450 | — | — | 715 | — | | | | | | |
| 600 | 400 340 | 85 | 60 | 60 | 70 | 70 | 50 | — | 515 | — |
| | 500 440 | | | | | | | — | 545 | — |
| | 600 540 | | | | | | | — | 580 | — |
| | 700 640 | | | | | | | — | 610 | — |
| | 800 740 | | | | | | | — | 645 | 680 |
| | 900 840 | | | | | | | — | 675 | 710 |
| | 1000 940 | | | | | | | — | 710 | 775 |
| | 1100 1040 | | | | | | | — | 745 | 810 |
| | 1200 1140 | | | | | | | — | 775 | 840 |
| | 1300 1240 | | | | | | | — | 810 | 875 |
| 1400 1340 | — | 840 | 945 | | | | | | | |
| 1500 1440 | — | 875 | 975 | | | | | | | |
| 1600 1540 | — | 905 | 1010 | | | | | | | |
| 1700 1640 | — | 940 | 1040 | | | | | | | |
| 700 | 500 430 | 90 | 60 | 70 | 85 | 80 | 50 | — | 685 | — |
| | 600 530 | | | | | | | — | 725 | — |
| | 700 630 | | | | | | | — | 765 | — |
| | 800 730 | | | | | | | — | 805 | — |
| | 900 830 | | | | | | | — | 840 | 885 |
| | 1000 930 | | | | | | | — | 880 | 925 |
| | 1100 1030 | | | | | | | — | 920 | 1000 |
| | 1200 1130 | | | | | | | — | 960 | 1040 |
| | 1300 1230 | | | | | | | — | 1000 | 1080 |
| | 1400 1330 | | | | | | | — | 1040 | 1120 |
| 1500 1430 | — | 1080 | 1160 | | | | | | | |
| 1600 1530 | — | 1120 | 1245 | | | | | | | |
| 1700 1630 | — | 1160 | 1285 | | | | | | | |
| 1800 1730 | — | 1200 | 1325 | | | | | | | |
| 1900 1830 | — | — | 1240 | — | | | | | | |
| 2000 1930 | — | — | 1280 | — | | | | | | |

● 製品長2m

(単位：mm)

| 呼び名 内高H×内幅B1 | B | d | t1 | t2 | t3 | r | t4 | 参考質量 (kg) | | |
|-----------------|-----------|------|------|----|----|----|-----|-----------|--------|------|
| | | | | | | | | 標準 | フーチング付 | |
| 800 | 500 420 | 100 | 60 | 75 | 85 | 80 | 100 | — | 770 | — |
| | 600 520 | | | | | | | — | 810 | — |
| | 700 620 | | | | | | | — | 850 | — |
| | 800 720 | | | | | | | — | 890 | — |
| | 900 820 | | | | | | | — | 930 | 975 |
| | 1000 920 | | | | | | | — | 970 | 1015 |
| | 1100 1020 | | | | | | | — | 1010 | 1095 |
| | 1200 1120 | | | | | | | — | 1050 | 1135 |
| | 1300 1220 | | | | | | | — | 1090 | 1175 |
| | 1400 1320 | | | | | | | — | 1130 | 1215 |
| 1500 1420 | — | 1170 | 1295 | | | | | | | |
| 1600 1520 | — | 1210 | 1335 | | | | | | | |
| 1700 1620 | — | 1250 | 1375 | | | | | | | |
| 1800 1720 | — | — | 1290 | — | | | | | | |
| 1900 1820 | — | — | 1330 | — | | | | | | |
| 2000 1920 | — | — | 1375 | — | | | | | | |
| 900 | 600 510 | 120 | 60 | 85 | 85 | 80 | 100 | — | 940 | — |
| | 700 610 | | | | | | | — | 980 | — |
| | 800 710 | | | | | | | — | 1020 | — |
| | 900 810 | | | | | | | — | 1060 | 1110 |
| | 1000 910 | | | | | | | — | 1105 | 1150 |
| | 1100 1010 | | | | | | | — | 1145 | 1190 |
| | 1200 1110 | | | | | | | — | 1185 | 1270 |
| | 1300 1210 | | | | | | | — | 1225 | 1310 |
| | 1400 1310 | | | | | | | — | 1265 | 1350 |
| | 1500 1410 | | | | | | | — | 1305 | 1395 |
| 1600 1510 | — | 1345 | 1470 | | | | | | | |
| 1700 1610 | — | 1385 | 1510 | | | | | | | |
| 1800 1710 | — | 1425 | 1555 | | | | | | | |
| 1900 1810 | — | 1470 | 1635 | | | | | | | |
| 2000 1910 | — | 1510 | 1675 | | | | | | | |
| 2100 2010 | — | 1550 | 1715 | | | | | | | |
| 2200 2110 | — | — | 1590 | — | | | | | | |

カルバート

道路側溝

防護柵

道路擁壁

補強土

のり面

共同溝

消・融雪

用排水

ため池

生態系

護床・その他

新材料

台車運搬

横引き

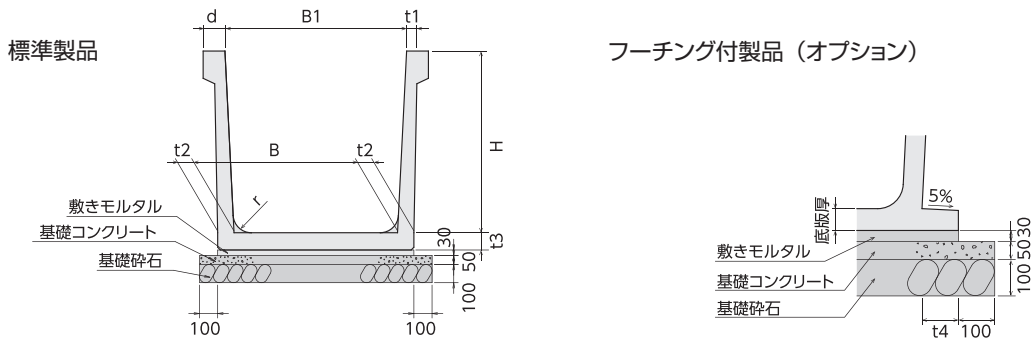
推進

沈埋

地盤改良

HSフリューム 1000~1300

● 標準施工断面図



標準規格

● 製品長2m (単位: mm)

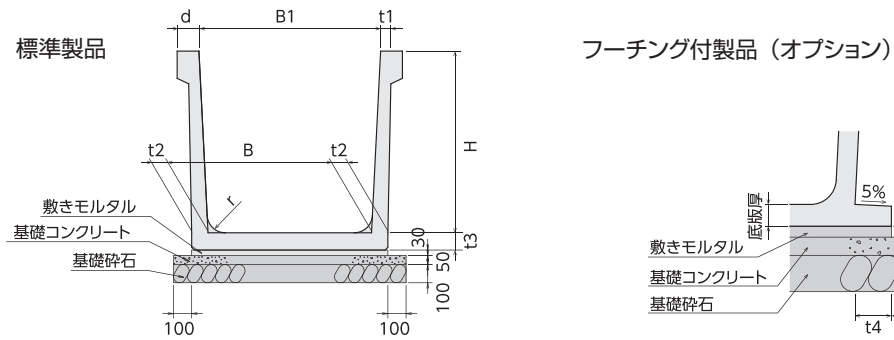
| 呼び名 内高H×内幅B1 | B | d | t1 | t2 | t3 | r | t4 | 参考質量 (kg) | | | |
|-----------------|------|------|-----|-----|----|------|------|-----------|--------|------|---|
| | | | | | | | | 標準 | フーチング付 | | |
| 1000 | 600 | 500 | 120 | 60 | 90 | 100 | - | 1130 | - | | |
| | 700 | 600 | | | | | - | 1175 | - | | |
| | 800 | 700 | | | | | - | 1220 | - | | |
| | 900 | 800 | | | | | - | 1265 | - | | |
| | 1000 | 900 | | | | | - | 1310 | - | | |
| | 1100 | 1000 | | | | | - | 50 | 1355 | 1405 | |
| | 1200 | 1100 | | | | | - | 100 | 1400 | 1455 | |
| | 1300 | 1200 | | | | | - | 150 | 1445 | 1540 | |
| | 1400 | 1300 | | | | | - | 150 | 1490 | 1585 | |
| | 1500 | 1400 | | | | | - | 150 | 1535 | 1630 | |
| | 1600 | 1500 | | | | | - | 150 | 1580 | 1720 | |
| | 1700 | 1600 | | | | | - | 150 | 1630 | 1765 | |
| | 1800 | 1700 | | | | | - | 150 | 1675 | 1810 | |
| | 1900 | 1800 | | | | | - | 150 | 1720 | 1905 | |
| | 2000 | 1900 | | | | | - | 150 | 1765 | 1950 | |
| | 2100 | 2000 | | | | | - | 150 | 1810 | 1995 | |
| | 2200 | 2100 | | | | | - | 150 | 1855 | 2040 | |
| | 2300 | 2200 | | | | | - | 150 | - | 1905 | - |
| | 2400 | 2300 | | | | | - | 150 | - | 1950 | - |
| | 2500 | 2400 | | | | | - | 150 | - | 1995 | - |
| | 2600 | 2500 | - | 150 | - | 2040 | - | | | | |
| | 2700 | 2600 | - | 150 | - | 2085 | - | | | | |
| | 2800 | 2700 | - | 150 | - | 2130 | - | | | | |
| | 2900 | 2800 | - | 150 | - | 2180 | - | | | | |
| | 3000 | 2900 | - | 150 | - | 2225 | - | | | | |
| | 3100 | 3000 | - | 150 | - | 2270 | - | | | | |
| | 3200 | 3100 | - | 150 | - | 2265 | - | | | | |
| | 3300 | 3200 | - | 150 | - | 2325 | - | | | | |
| | 3400 | 3300 | - | 150 | - | 2380 | - | | | | |
| | 3500 | 3400 | - | 150 | - | 2445 | - | | | | |
| | 3600 | 3500 | - | 150 | - | 2510 | - | | | | |
| | 3700 | 3600 | - | 150 | - | 2585 | - | | | | |
| | 3800 | 3700 | - | 150 | - | 2670 | - | | | | |
| | 3900 | 3800 | - | 150 | - | 2765 | - | | | | |
| | 4000 | 3900 | - | 150 | - | 2870 | - | | | | |
| | 600 | 490 | - | 125 | - | - | 1350 | - | | | |
| | 700 | 590 | - | 125 | - | - | 1405 | - | | | |
| | 800 | 690 | - | 125 | - | - | 1450 | - | | | |
| | 900 | 790 | - | 125 | - | - | 1500 | - | | | |
| | 1000 | 890 | - | 125 | - | - | 1555 | - | | | |
| | 1100 | 990 | - | 125 | - | - | 1605 | - | | | |
| | 1200 | 1090 | - | 125 | - | - | 1655 | 1705 | | | |
| | 1300 | 1190 | - | 125 | - | - | 1705 | 1755 | | | |
| | 1400 | 1290 | - | 125 | - | - | 1750 | 1855 | | | |
| | 1500 | 1390 | - | 125 | - | - | 1805 | 1905 | | | |
| | 1600 | 1490 | - | 125 | - | - | 1855 | 1955 | | | |
| | 1700 | 1590 | - | 125 | - | - | 1905 | 2005 | | | |
| | 1800 | 1690 | - | 125 | - | - | 1955 | 2105 | | | |
| | 1900 | 1790 | - | 125 | - | - | 2005 | 2155 | | | |
| | 2000 | 1890 | - | 125 | - | - | 2055 | 2200 | | | |
| | 2100 | 1990 | - | 125 | - | - | 2105 | 2300 | | | |
| | 2200 | 2090 | - | 125 | - | - | 2155 | 2355 | | | |
| | 2300 | 2190 | - | 125 | - | - | 2205 | 2405 | | | |
| | 2400 | 2290 | - | 125 | - | - | - | 2255 | - | | |
| | 2500 | 2390 | - | 125 | - | - | - | 2305 | - | | |
| | 2600 | 2490 | - | 125 | - | - | - | 2355 | - | | |
| | 2700 | 2590 | - | 125 | - | - | - | 2410 | - | | |
| | 2800 | 2690 | - | 125 | - | - | - | 2460 | - | | |
| | 2900 | 2790 | - | 125 | - | - | - | 2510 | - | | |
| | 3000 | 2890 | - | 125 | - | - | - | 2560 | - | | |
| | 3100 | 2990 | - | 125 | - | - | - | 2580 | - | | |
| | 3200 | 3090 | - | 125 | - | - | - | 2640 | - | | |
| | 3300 | 3190 | - | 125 | - | - | - | 2700 | - | | |
| | 3400 | 3290 | - | 125 | - | - | - | 2760 | - | | |
| | 3500 | 3390 | - | 125 | - | - | - | 2825 | - | | |
| | 3600 | 3490 | - | 125 | - | - | - | 2895 | - | | |
| | 3700 | 3590 | - | 125 | - | - | - | 2970 | - | | |
| | 3800 | 3690 | - | 125 | - | - | - | 3050 | - | | |
| | 3900 | 3790 | - | 125 | - | - | - | 3135 | - | | |
| | 4000 | 3890 | - | 125 | - | - | - | 3225 | - | | |

● 製品長2m (単位: mm)

| 呼び名 内高H×内幅B1 | B | d | t1 | t2 | t3 | r | t4 | 参考質量 (kg) | | | |
|-----------------|------|------|-----|-----|-----|------|------|-----------|--------|------|---|
| | | | | | | | | 標準 | フーチング付 | | |
| 1200 | 600 | 480 | 130 | 70 | 110 | 120 | - | 1505 | - | | |
| | 700 | 580 | | | | | - | 1560 | - | | |
| | 800 | 680 | | | | | - | 1610 | - | | |
| | 900 | 780 | | | | | - | 1665 | - | | |
| | 1000 | 880 | | | | | - | 1715 | - | | |
| | 1100 | 980 | | | | | - | 1770 | - | | |
| | 1200 | 1080 | | | | | - | 50 | 1820 | 1880 | |
| | 1300 | 1180 | | | | | - | 100 | 1930 | 2035 | |
| | 1400 | 1280 | | | | | - | 100 | 1980 | 2085 | |
| | 1500 | 1380 | | | | | - | 100 | 2035 | 2140 | |
| | 1600 | 1480 | | | | | - | 100 | 2085 | 2190 | |
| | 1700 | 1580 | | | | | - | 100 | 2140 | 2295 | |
| | 1800 | 1680 | | | | | - | 100 | 2195 | 2350 | |
| | 1900 | 1780 | | | | | - | 100 | 2245 | 2400 | |
| | 2000 | 1880 | | | | | - | 100 | 2300 | 2505 | |
| | 2100 | 1980 | | | | | - | 100 | 2350 | 2555 | |
| | 2200 | 2080 | | | | | - | 100 | 2405 | 2610 | |
| | 2300 | 2180 | | | | | - | 100 | - | 2460 | - |
| | 2400 | 2280 | | | | | - | 100 | - | 2510 | - |
| | 2500 | 2380 | | | | | - | 100 | - | 2565 | - |
| | 2600 | 2480 | - | 100 | - | 2615 | - | | | | |
| | 2700 | 2580 | - | 100 | - | 2670 | - | | | | |
| | 2800 | 2680 | - | 100 | - | 2725 | - | | | | |
| | 2900 | 2780 | - | 100 | - | 2780 | - | | | | |
| | 3000 | 2880 | - | 100 | - | 2840 | - | | | | |
| | 3100 | 2980 | - | 100 | - | 2900 | - | | | | |
| | 3200 | 3080 | - | 100 | - | 2960 | - | | | | |
| | 3300 | 3180 | - | 100 | - | 3025 | - | | | | |
| | 3400 | 3280 | - | 100 | - | 3090 | - | | | | |
| | 3500 | 3380 | - | 100 | - | 3155 | - | | | | |
| | 3600 | 3480 | - | 100 | - | 3225 | - | | | | |
| | 3700 | 3580 | - | 100 | - | 3300 | - | | | | |
| | 3800 | 3680 | - | 100 | - | 3375 | - | | | | |
| | 3900 | 3780 | - | 100 | - | 3455 | - | | | | |
| | 4000 | 3880 | - | 100 | - | 3540 | - | | | | |
| | 700 | 570 | - | 135 | - | - | 1760 | - | | | |
| | 800 | 670 | - | 135 | - | - | 1815 | - | | | |
| | 900 | 770 | - | 135 | - | - | 1870 | - | | | |
| | 1000 | 870 | - | 135 | - | - | 1930 | - | | | |
| | 1100 | 970 | - | 135 | - | - | 1985 | - | | | |
| | 1200 | 1070 | - | 135 | - | - | 2045 | - | | | |
| | 1300 | 1170 | - | 135 | - | - | 2100 | 2160 | | | |
| | 1400 | 1270 | - | 135 | - | - | 2160 | 2220 | | | |
| | 1500 | 1370 | - | 135 | - | - | 2215 | 2330 | | | |
| | 1600 | 1470 | - | 135 | - | - | 2275 | 2390 | | | |
| | 1700 | 1570 | - | 135 | - | - | 2330 | 2445 | | | |
| | 1800 | 1670 | - | 135 | - | - | 2390 | 2505 | | | |
| | 1900 | 1770 | - | 135 | - | - | 2445 | 2620 | | | |
| | 2000 | 1870 | - | 135 | - | - | 2505 | 2675 | | | |
| | 2100 | 1970 | - | 135 | - | - | 2560 | 2735 | | | |
| | 2200 | 2070 | - | 135 | - | - | 2620 | 2790 | | | |
| | 2300 | 2170 | - | 135 | - | - | 2675 | 2900 | | | |
| | 2400 | 2270 | - | 135 | - | - | 2735 | 2960 | | | |
| | 2500 | 2370 | - | 135 | - | - | 2795 | 3030 | | | |
| | 2600 | 2470 | - | 135 | - | - | - | 2855 | - | | |
| | 2700 | 2570 | - | 135 | - | - | - | 2910 | - | | |
| | 2800 | 2670 | - | 135 | - | - | - | 2970 | - | | |
| | 2900 | 2770 | - | 135 | - | - | - | 3025 | - | | |
| | 3000 | 2870 | - | 135 | - | - | - | 3085 | - | | |
| | 3100 | 2970 | - | 135 | - | - | - | 3140 | - | | |
| | 3200 | 3070 | - | 135 | - | - | - | 3195 | - | | |
| | 3300 | 3170 | - | 135 | - | - | - | 3255 | - | | |
| | 3400 | 3270 | - | 135 | - | - | - | 3315 | - | | |
| | 3500 | 3370 | - | 135 | - | - | - | 3375 | - | | |
| | 3600 | 3470 | - | 135 | - | - | - | 3440 | - | | |
| | 3700 | 3570 | - | 135 | - | - | - | 3505 | - | | |
| | 3800 | 3670 | - | 135 | - | - | - | 3570 | - | | |
| | 3900 | 3770 | - | 135 | - | - | - | 3640 | - | | |
| | 4000 | 3870 | - | 135 | - | - | - | 3710 | - | | |

HSフリューム 1400~1700

● 標準施工断面図



標準規格

● 製品長2m

(単位: mm)

| 呼び名 内高H×内幅B1 | B | d | t1 | t2 | t3 | r | t4 | 参考質量 (kg) | | |
|-----------------|------|------|-----|------|-----|-----|----|-----------|--------|---|
| | | | | | | | | 標準 | フーチング付 | |
| 1400 | 700 | 560 | 150 | 70 | 125 | 150 | - | 1970 | - | |
| | 800 | 660 | | | | | - | 2025 | - | |
| | 900 | 760 | | | | | - | 2085 | - | |
| | 1000 | 860 | | | | | - | 2145 | - | |
| | 1100 | 960 | | | | | - | 2205 | - | |
| | 1200 | 1060 | | | | | - | 2265 | - | |
| | 1300 | 1160 | | | | | - | 2325 | 2390 | |
| | 1400 | 1260 | | | | | - | 2390 | 2450 | |
| | 1500 | 1360 | | | | | - | 2450 | 2510 | |
| | 1600 | 1460 | | | | | - | 2505 | 2630 | |
| | 1700 | 1560 | | | | | - | 2570 | 2690 | |
| | 1800 | 1660 | | | | | - | 2625 | 2750 | |
| | 1900 | 1760 | | | | | - | 2690 | 2810 | |
| | 2000 | 1860 | | | | | - | 2750 | 2930 | |
| | 2100 | 1960 | | | | | - | 2810 | 2990 | |
| | 2200 | 2060 | | | | | - | 2875 | 3050 | |
| | 2300 | 2160 | | | | | - | 2935 | 3175 | |
| | 2400 | 2260 | | | | | - | 2995 | 3235 | |
| | 2500 | 2360 | | | | | - | 3055 | 3295 | |
| | 2600 | 2460 | | | | | - | - | 3115 | - |
| | 2700 | 2560 | | | | | - | - | 3175 | - |
| | 2800 | 2660 | | | | | - | - | 3235 | - |
| | 2900 | 2760 | | | | | - | - | 3295 | - |
| | 3000 | 2860 | | | | | - | - | 3360 | - |
| | 3100 | 2960 | | | | | - | - | 3730 | - |
| | 3200 | 3060 | | | | | - | - | 3800 | - |
| | 3300 | 3160 | | | | | - | - | 3865 | - |
| | 3400 | 3260 | | | | | - | - | 3935 | - |
| 3500 | 3360 | - | - | 4005 | - | | | | | |
| 3600 | 3460 | - | - | 4075 | - | | | | | |
| 3700 | 3560 | - | - | 4145 | - | | | | | |
| 3800 | 3660 | - | - | 4215 | - | | | | | |
| 3900 | 3760 | - | - | 4300 | - | | | | | |
| 4000 | 3860 | - | - | 4370 | - | | | | | |
| 1500 | 1000 | 850 | 150 | 70 | 135 | 150 | - | 2385 | - | |
| | 1100 | 950 | | | | | - | 2450 | - | |
| | 1200 | 1050 | | | | | - | 2515 | - | |
| | 1300 | 1150 | | | | | - | 2580 | - | |
| | 1400 | 1250 | | | | | - | 2645 | 2715 | |
| | 1500 | 1350 | | | | | - | 2710 | 2780 | |
| | 1600 | 1450 | | | | | - | 2775 | 2845 | |
| | 1700 | 1550 | | | | | - | 2840 | 2980 | |
| | 1800 | 1650 | | | | | - | 2905 | 3045 | |
| | 1900 | 1750 | | | | | - | 2970 | 3110 | |
| | 2000 | 1850 | | | | | - | 3035 | 3175 | |
| | 2100 | 1950 | | | | | - | 3105 | 3300 | |
| | 2200 | 2050 | | | | | - | 3170 | 3365 | |
| | 2300 | 2150 | | | | | - | 3235 | 3430 | |
| | 2400 | 2250 | | | | | - | 3300 | 3565 | |
| | 2500 | 2350 | | | | | - | 3365 | 3630 | |
| | 2600 | 2450 | | | | | - | 3430 | 3695 | |
| | 2700 | 2550 | | | | | - | - | 3495 | - |
| | 2800 | 2650 | | | | | - | - | 3565 | - |
| | 2900 | 2750 | | | | | - | - | 3630 | - |
| | 3000 | 2850 | | | | | - | - | 3695 | - |
| | 3100 | 2950 | | | | | - | - | 3910 | - |
| | 3200 | 3050 | | | | | - | - | 3995 | - |
| | 3300 | 3150 | | | | | - | - | 4065 | - |
| | 3400 | 3250 | | | | | - | - | 4135 | - |
| | 3500 | 3350 | | | | | - | - | 4200 | - |
| | 3600 | 3450 | | | | | - | - | 4275 | - |
| | 3700 | 3550 | | | | | - | - | 4345 | - |
| 3800 | 3650 | - | - | 4415 | - | | | | | |
| 3900 | 3750 | - | - | 4500 | - | | | | | |
| 4000 | 3850 | - | - | 4565 | - | | | | | |

● 製品長2m

(単位: mm)

| 呼び名 内高H×内幅B1 | B | d | t1 | t2 | t3 | r | t4 | 参考質量 (kg) | | |
|-----------------|------|------|-----|------|-----|-----|----|-----------|--------|---|
| | | | | | | | | 標準 | フーチング付 | |
| 1600 | 1000 | 840 | 150 | 70 | 145 | 150 | - | 2615 | - | |
| | 1100 | 940 | | | | | - | 2685 | - | |
| | 1200 | 1040 | | | | | - | 2755 | - | |
| | 1300 | 1140 | | | | | - | 2825 | - | |
| | 1400 | 1240 | | | | | - | 2895 | - | |
| | 1500 | 1340 | | | | | - | 2965 | 3040 | |
| | 1600 | 1440 | | | | | - | 3035 | 3110 | |
| | 1700 | 1540 | | | | | - | 3105 | 3250 | |
| | 1800 | 1640 | | | | | - | 3175 | 3320 | |
| | 1900 | 1740 | | | | | - | 3245 | 3390 | |
| | 2000 | 1840 | | | | | - | 3315 | 3460 | |
| | 2100 | 1940 | | | | | - | 3385 | 3530 | |
| | 2200 | 2040 | | | | | - | 3455 | 3675 | |
| | 2300 | 2140 | | | | | - | 3525 | 3745 | |
| | 2400 | 2240 | | | | | - | 3595 | 3815 | |
| | 2500 | 2340 | | | | | - | 3665 | 3950 | |
| | 2600 | 2440 | | | | | - | 3735 | 4020 | |
| | 2700 | 2540 | | | | | - | 3815 | 4090 | |
| | 2800 | 2640 | | | | | - | - | 3885 | - |
| | 2900 | 2740 | | | | | - | - | 3955 | - |
| | 3000 | 2840 | | | | | - | - | 4025 | - |
| | 3100 | 2940 | | | | | - | - | 4190 | - |
| | 3200 | 3040 | | | | | - | - | 4260 | - |
| | 3300 | 3140 | | | | | - | - | 4335 | - |
| | 3400 | 3240 | | | | | - | - | 4405 | - |
| | 3500 | 3340 | | | | | - | - | 4475 | - |
| | 3600 | 3440 | | | | | - | - | 4555 | - |
| | 3700 | 3540 | | | | | - | - | 4645 | - |
| 3800 | 3640 | - | - | 4715 | - | | | | | |
| 3900 | 3740 | - | - | 4800 | - | | | | | |
| 4000 | 3840 | - | - | 4870 | - | | | | | |
| 1700 | 1000 | 830 | 150 | 70 | 155 | 150 | - | 2865 | - | |
| | 1100 | 930 | | | | | - | 2940 | - | |
| | 1200 | 1030 | | | | | - | 3015 | - | |
| | 1300 | 1130 | | | | | - | 3085 | - | |
| | 1400 | 1230 | | | | | - | 3160 | - | |
| | 1500 | 1330 | | | | | - | 3235 | 3340 | |
| | 1600 | 1430 | | | | | - | 3310 | 3415 | |
| | 1700 | 1530 | | | | | - | 3385 | 3490 | |
| | 1800 | 1630 | | | | | - | 3460 | 3635 | |
| | 1900 | 1730 | | | | | - | 3535 | 3715 | |
| | 2000 | 1830 | | | | | - | 3610 | 3790 | |
| | 2100 | 1930 | | | | | - | 3685 | 3865 | |
| | 2200 | 2030 | | | | | - | 3765 | 3935 | |
| | 2300 | 2130 | | | | | - | 3835 | 4095 | |
| | 2400 | 2230 | | | | | - | 3910 | 4170 | |
| | 2500 | 2330 | | | | | - | 3985 | 4245 | |
| | 2600 | 2430 | | | | | - | 4060 | 4390 | |
| | 2700 | 2530 | | | | | - | 4135 | 4465 | |
| | 2800 | 2630 | | | | | - | 4210 | 4540 | |
| | 2900 | 2730 | | | | | - | - | 4295 | - |
| | 3000 | 2830 | | | | | - | - | 4370 | - |
| | 3100 | 2930 | | | | | - | - | 4450 | - |
| | 3200 | 3030 | | | | | - | - | 4525 | - |
| | 3300 | 3130 | | | | | - | - | 4595 | - |
| | 3400 | 3230 | | | | | - | - | 4670 | - |
| | 3500 | 3330 | | | | | - | - | 4760 | - |
| | 3600 | 3430 | | | | | - | - | 4845 | - |
| | 3700 | 3530 | | | | | - | - | 4920 | - |
| 3800 | 3630 | - | - | 4990 | - | | | | | |
| 3900 | 3730 | - | - | 5065 | - | | | | | |
| 4000 | 3830 | - | - | 5140 | - | | | | | |

カルバート

道路側溝

防護柵

道路擁壁

補強土

のり面

共同溝

消・融雪

用排水

ため池

生態系

護床・その他

新材料

台車運搬

横引き

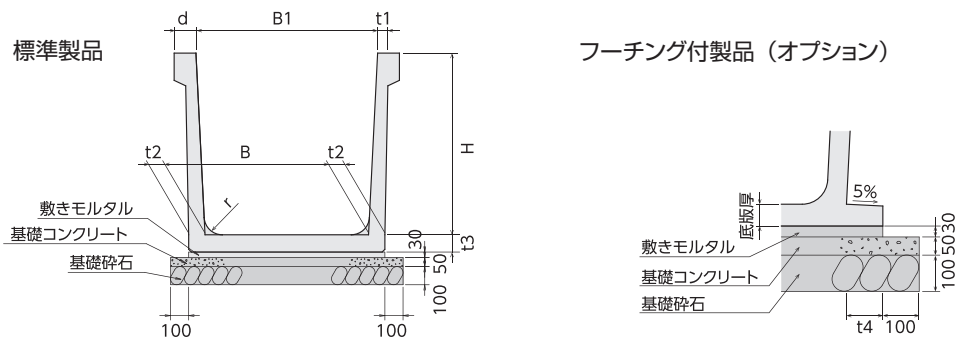
推進

沈埋

地盤改良

HSフリューム 1800~2000

● 標準施工断面図



標準規格

● 製品長2m

(単位: mm)

| 呼び名 内高H×内幅B1 | B | d | t1 | t2 | t3 | r | t4 | 参考質量 (kg) | | |
|-----------------|------|------|-----|------|-----|-----|-----|-----------|--------|------|
| | | | | | | | | 標準 | フーチング付 | |
| 1800 | 1000 | 820 | 150 | 70 | 160 | 160 | 180 | - | 3070 | - |
| | 1100 | 920 | | | | | | - | 3145 | - |
| | 1200 | 1020 | | | | | | - | 3220 | - |
| | 1300 | 1120 | | | | | | - | 3300 | - |
| | 1400 | 1220 | | | | | | - | 3375 | - |
| | 1500 | 1320 | | | | | | - | 3455 | - |
| | 1600 | 1420 | | | | | | - | 3530 | 3640 |
| | 1700 | 1520 | | | | | | - | 3605 | 3720 |
| | 1800 | 1620 | | | | | | - | 3685 | 3795 |
| | 1900 | 1720 | | | | | | - | 3760 | 3955 |
| | 2000 | 1820 | | | | | | - | 3835 | 4035 |
| | 2100 | 1920 | | | | | | - | 3915 | 4110 |
| | 2200 | 2020 | | | | | | - | 4000 | 4190 |
| | 2300 | 2120 | | | | | | - | 4075 | 4345 |
| | 2400 | 2220 | | | | | | - | 4155 | 4420 |
| | 2500 | 2320 | | | | | | - | 4230 | 4495 |
| | 2600 | 2420 | | | | | | - | 4305 | 4650 |
| | 2700 | 2520 | | | | | | - | 4385 | 4725 |
| | 2800 | 2620 | | | | | | - | 4460 | 4810 |
| | 2900 | 2720 | | | | | | - | 4545 | 4885 |
| 3000 | 2820 | - | - | 4625 | - | | | | | |
| 3100 | 2920 | - | - | 4705 | - | | | | | |
| 3200 | 3020 | - | - | 4785 | - | | | | | |
| 3300 | 3120 | - | - | 4880 | - | | | | | |
| 3400 | 3220 | - | - | 4955 | - | | | | | |
| 3500 | 3320 | - | - | 5030 | - | | | | | |
| 3600 | 3420 | - | - | 5110 | - | | | | | |
| 3700 | 3520 | - | - | 5195 | - | | | | | |
| 3800 | 3620 | - | - | 5270 | - | | | | | |
| 3900 | 3720 | - | - | 5345 | - | | | | | |
| 4000 | 3820 | - | - | 5420 | - | | | | | |
| 1900 | 1000 | 810 | 150 | 70 | 170 | 180 | - | 3340 | - | |
| | 1100 | 910 | | | | | - | 3420 | - | |
| | 1200 | 1010 | | | | | - | 3500 | - | |
| | 1300 | 1110 | | | | | - | 3580 | - | |
| | 1400 | 1210 | | | | | - | 3665 | - | |
| | 1500 | 1310 | | | | | - | 3745 | - | |
| | 1600 | 1410 | | | | | - | 3835 | 3955 | |
| | 1700 | 1510 | | | | | - | 3915 | 4035 | |
| | 1800 | 1610 | | | | | - | 3995 | 4120 | |
| | 1900 | 1710 | | | | | - | 4080 | 4280 | |
| | 2000 | 1810 | | | | | - | 4160 | 4360 | |
| | 2100 | 1910 | | | | | - | 4240 | 4440 | |
| | 2200 | 2010 | | | | | - | 4325 | 4530 | |
| | 2300 | 2110 | | | | | - | 4405 | 4610 | |
| | 2400 | 2210 | | | | | - | 4490 | 4770 | |
| | 2500 | 2310 | | | | | - | 4575 | 4855 | |
| | 2600 | 2410 | | | | | - | 4655 | 4945 | |
| | 2700 | 2510 | | | | | - | 4740 | 5110 | |
| | 2800 | 2610 | | | | | - | 4820 | 5190 | |
| | 2900 | 2710 | | | | | - | 4900 | 5275 | |
| 3000 | 2810 | - | - | 4985 | - | | | | | |
| 3100 | 2910 | - | - | 5095 | - | | | | | |
| 3200 | 3010 | - | - | 5175 | - | | | | | |
| 3300 | 3110 | - | - | 5260 | - | | | | | |
| 3400 | 3210 | - | - | 5340 | - | | | | | |
| 3500 | 3310 | - | - | 5435 | - | | | | | |
| 3600 | 3410 | - | - | 5515 | - | | | | | |
| 3700 | 3510 | - | - | 5595 | - | | | | | |
| 3800 | 3610 | - | - | 5675 | - | | | | | |
| 3900 | 3710 | - | - | 5760 | - | | | | | |
| 4000 | 3810 | - | - | 5840 | - | | | | | |

● 製品長2m

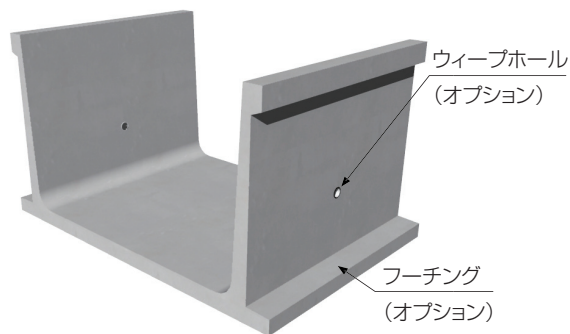
(単位: mm)

| 呼び名 内高H×内幅B1 | B | d | t1 | t2 | t3 | r | t4 | 参考質量 (kg) | |
|-----------------|------|------|------|------|-----|-----|----|-----------|--------|
| | | | | | | | | 標準 | フーチング付 |
| 2000 | 1000 | 800 | 150 | 70 | 180 | 180 | - | 3605 | - |
| | 1100 | 900 | | | | | - | 3695 | - |
| | 1200 | 1000 | | | | | - | 3780 | - |
| | 1300 | 1100 | | | | | - | 3865 | - |
| | 1400 | 1200 | | | | | - | 3950 | - |
| | 1500 | 1300 | | | | | - | 4045 | - |
| | 1600 | 1400 | | | | | - | 4130 | - |
| | 1700 | 1500 | | | | | - | 4215 | 4345 |
| | 1800 | 1600 | | | | | - | 4305 | 4430 |
| | 1900 | 1700 | | | | | - | 4390 | 4515 |
| | 2000 | 1800 | | | | | - | 4475 | 4690 |
| | 2100 | 1900 | | | | | - | 4560 | 4765 |
| | 2200 | 2000 | | | | | - | 4650 | 4865 |
| | 2300 | 2100 | | | | | - | 4740 | 4950 |
| | 2400 | 2200 | | | | | - | 4825 | 5025 |
| | 2500 | 2300 | | | | | - | 4910 | 5210 |
| | 2600 | 2400 | | | | | - | 5000 | 5285 |
| | 2700 | 2500 | | | | | - | 5085 | 5390 |
| | 2800 | 2600 | | | | | - | 5195 | 5585 |
| | 2900 | 2700 | | | | | - | 5285 | 5660 |
| 3000 | 2800 | - | 5370 | 5760 | | | | | |
| 3100 | 2900 | - | - | 5465 | - | | | | |
| 3200 | 3000 | - | - | 5550 | - | | | | |
| 3300 | 3100 | - | - | 5645 | - | | | | |
| 3400 | 3200 | - | - | 5735 | - | | | | |
| 3500 | 3300 | - | - | 5820 | - | | | | |
| 3600 | 3400 | - | - | 5905 | - | | | | |
| 3700 | 3500 | - | - | 5995 | - | | | | |
| 3800 | 3600 | - | - | 6080 | - | | | | |
| 3900 | 3700 | - | - | 6165 | - | | | | |
| 4000 | 3800 | - | - | 6250 | - | | | | |

オプション

● 浮力対策

地下水位が高く浮上の恐れがある場合は、現場の条件に合わせて、各種検討いたします。



カルバート

道路側溝

防護柵

道路擁壁

補強土

のり面

共同溝

消・融雪

用排水

ため池

生態系

護床・その他

新材料

台車運搬

横引き

推進

沈埋

地盤改良

施工歩掛

● 機種の選定

| 1個当り質量 (kg/個) | トラッククレーン | ラフテレーンクレーン |
|-------------------|----------------|-----------------------------------|
| 1,450 超え 1,500 以下 | 油圧伸縮ジブ型 4.9t 吊 | — |
| 1,500 超え 7,000 以下 | — | 排出ガス対策型 (第2次基準値) 油圧伸縮ジブ型 25t 吊 |

※1 現場条件等により上表により難しい場合は、現場条件等に適合した機種・規格を計上する。

※2 トラッククレーン及びラフテレーンクレーンは、賃料とする。

● 鉄筋コンクリート大型水路据付歩掛

| 1個当り製品長さ (mm/個) | 質量 (kg/個) | 1日当り標準施工量 (m/日) | 労務配置 (人/日) | | |
|--------------------|-------------------|--------------------|------------|-------|-------|
| | | | 世話役 | 特殊作業員 | 普通作業員 |
| 2,000 | 2,900 超え 3,500 以下 | 26 | 1.0 | 1.0 | 3.5 |
| | 3,500 超え 5,500 以下 | 26 | 1.0 | 1.0 | 4.0 |
| | 5,500 超え 7,000 以下 | 24 | 1.0 | 1.0 | 4.5 |

※1 敷モルタル以外の据付調整材を使用する場合は、材料費のみ別途計上する。

※2 据付に伴う材料の移動手間を含む。

※3 接合にモルタルを使用する場合は、接合材料費として、労務費の合計額に上表の率を乗じた金額を計上する。なお、モルタル以外の接合材を使用する場合は、材料費のみ別途計上する。

● 敷モルタル材料比率 (製品長が1000mmの場合)

| 製品1個当り質量 (kg) | 敷モルタル幅 (m) | | | | | | | | | | |
|-------------------|------------|-----|-----|-----|-----|-----|-----|-----|-----|-----|-----|
| | 1.0 | 1.2 | 1.4 | 1.6 | 1.8 | 2.0 | 2.2 | 2.4 | 2.6 | 2.8 | 3.0 |
| 1,450 超え 1,500 以下 | 1.0 | 2.0 | 2.0 | 2.0 | 3.0 | 3.0 | 3.0 | 3.0 | 4.0 | 4.0 | 4.0 |
| 1,500 超え 2,000 以下 | | 1.0 | | | | | | | 3.0 | 3.0 | 3.0 |
| 2,000 超え 2,500 以下 | 1.0 | 1.0 | 1.0 | 1.0 | 2.0 | 2.0 | 2.0 | 2.0 | 2.0 | 2.0 | 2.0 |
| 2,500 超え 3,500 以下 | | | 1.0 | 1.0 | 1.0 | 1.0 | 1.0 | 1.0 | 1.0 | 1.0 | |
| 3,500 超え 5,500 以下 | | | 1.0 | 1.0 | 1.0 | 1.0 | 1.0 | 1.0 | 1.0 | 1.0 | |
| 5,500 超え 7,000 以下 | 1.0 | 1.0 | 1.0 | 1.0 | 1.0 | 1.0 | 1.0 | 1.0 | 1.0 | 1.0 | 1.0 |

| 製品1個当り質量 (kg) | 敷モルタル幅 (m) | | | | | | |
|-------------------|------------|-----|-----|-----|-----|-----|-----|
| | 3.2 | 3.4 | 3.6 | 3.8 | 4.0 | 4.2 | 4.4 |
| 1,450 超え 1,500 以下 | 5.0 | 5.0 | 5.0 | 5.0 | 6.0 | 6.0 | 6.0 |
| 1,500 超え 2,000 以下 | 4.0 | 4.0 | 4.0 | 4.0 | 5.0 | 5.0 | 5.0 |
| 2,000 超え 2,500 以下 | 3.0 | 3.0 | 3.0 | 3.0 | 3.0 | 3.0 | 3.0 |
| 2,500 超え 3,500 以下 | 2.0 | 2.0 | 2.0 | 2.0 | 2.0 | 2.0 | 2.0 |
| 3,500 超え 5,500 以下 | 1.0 | 1.0 | 1.0 | 1.0 | 1.0 | 1.0 | 1.0 |
| 5,500 超え 7,000 以下 | 1.0 | 1.0 | 1.0 | 1.0 | 1.0 | 1.0 | 1.0 |

※1 直近上位の幅における率を材料費率とする。

※2 敷モルタル厚は、30mmまでを対象とする。

● 敷モルタル材料比率 (製品長が2000mmの場合)

| 製品1個当り質量 (kg) | 敷モルタル幅 (m) | | | | | | | | | | |
|-------------------|------------|-----|-----|-----|-----|-----|-----|-----|-----|-----|-----|
| | 1.0 | 1.2 | 1.4 | 1.6 | 1.8 | 2.0 | 2.2 | 2.4 | 2.6 | 2.8 | 3.0 |
| 2,900 超え 3,500 以下 | 1.0 | 1.0 | 1.0 | 2.0 | 2.0 | 2.0 | 2.0 | 3.0 | 3.0 | 3.0 | 3.0 |
| 3,500 超え 5,500 以下 | | | | 1.0 | 1.0 | 1.0 | 1.0 | 2.0 | 2.0 | 2.0 | 2.0 |
| 5,500 超え 7,000 以下 | 1.0 | 1.0 | 1.0 | 1.0 | 1.0 | 1.0 | 1.0 | 1.0 | 1.0 | 1.0 | 1.0 |

| 製品1個当り質量 (kg) | 敷モルタル幅 (m) | | | | | | |
|-------------------|------------|-----|-----|-----|-----|-----|-----|
| | 3.2 | 3.4 | 3.6 | 3.8 | 4.0 | 4.2 | 4.4 |
| 2,900 超え 3,500 以下 | 3.0 | 4.0 | 4.0 | 4.0 | 4.0 | 4.0 | 4.0 |
| 3,500 超え 5,500 以下 | 2.0 | 2.0 | 2.0 | 3.0 | 3.0 | 3.0 | 3.0 |
| 5,500 超え 7,000 以下 | 1.0 | 1.0 | | 2.0 | 2.0 | 2.0 | 2.0 |

※1 直近上位の幅における率を材料費率とする。

※2 敷モルタル厚は、30mmまでを対象とする。

カルバート

道路側溝

防護柵

道路擁壁

補強土

のり面

共同溝

消・融雪

用排水

ため池

生態系

護床・その他

新材料

台車運搬

横引き

推進

沈埋

地盤改良